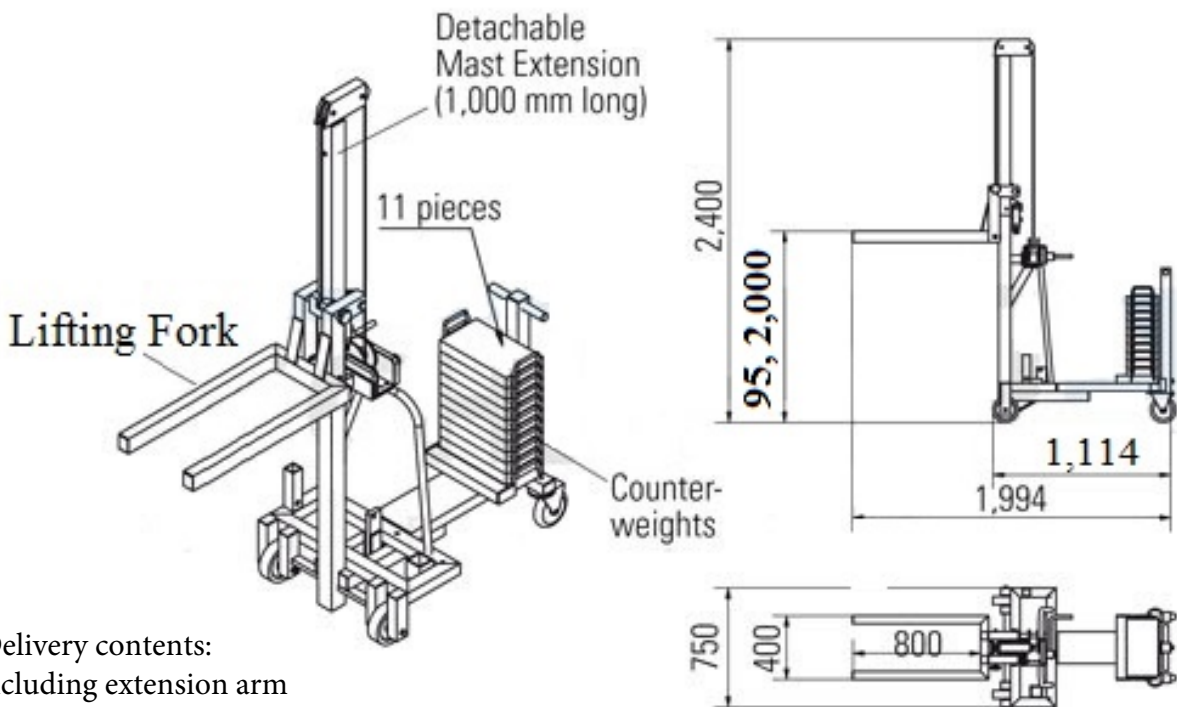
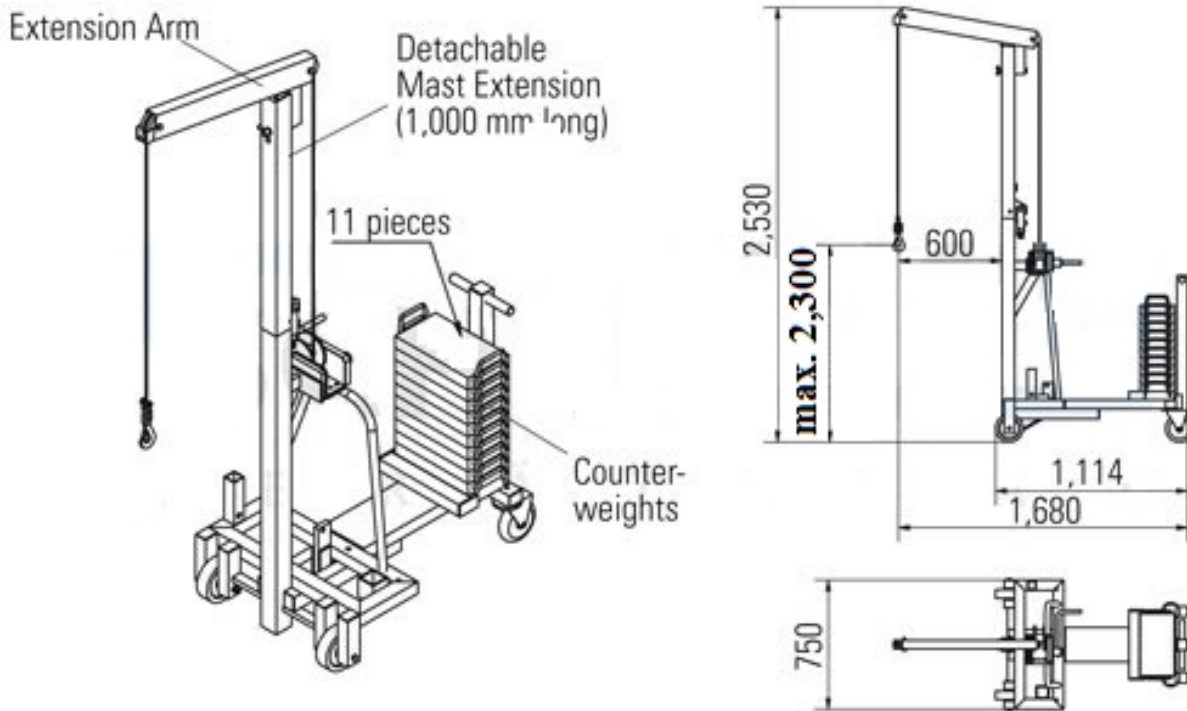
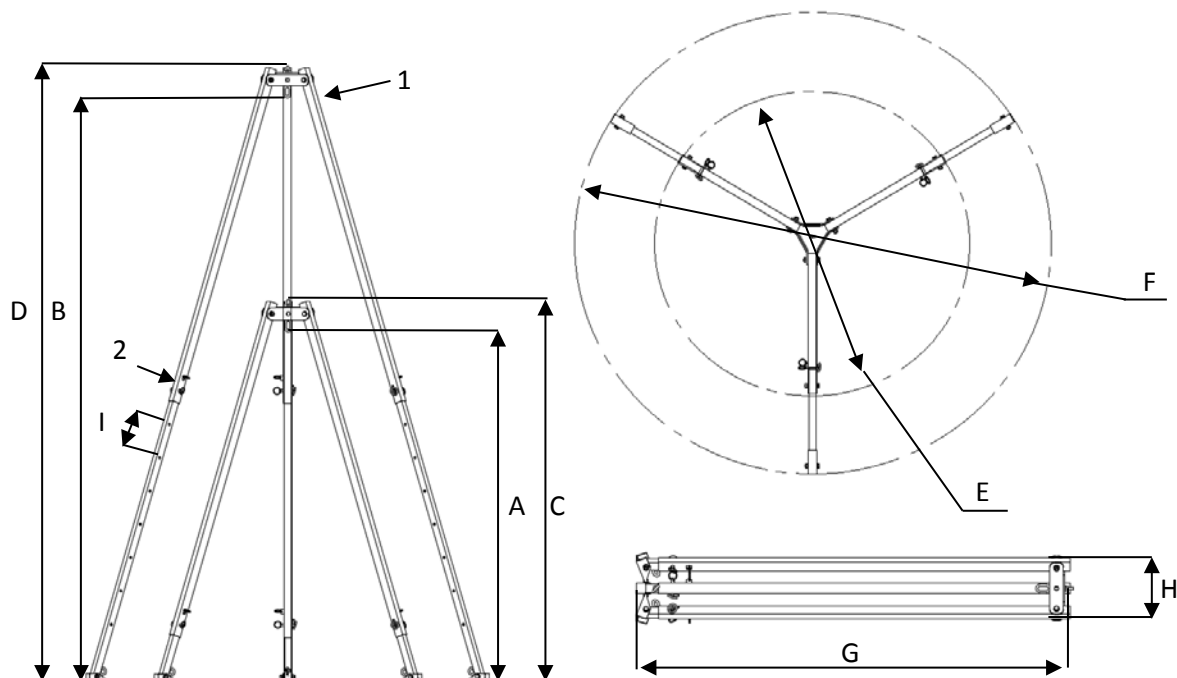


# Aluminium multilift



- Delivery contents:  
including extension arm  
including lifting fork
- The Aluminium Multilift has been especially developed for companies that are in need of a mobile lifting device.
- The lifting operation is performed by a cable winch.
- The lift's mast can be divided.
- The counterweights are provided with a safety device to prevent inadvertent removal.
- The Aluminium Multilift can be folded completely with a minimum of effort and space saving stored.
- It is possible to remove the add-on part (incl. 11 counterweights) from the Aluminium Multilift with four screw connections.

**TRA TRIPODE ALUMINIUM PLIABLE**  
**FOLDING ALUMINIUM TRIPOD**  
**TREPIEDE IN ALLUMINIO**



1	Anneau d'accrochage	Hooking ring	Aggancio anello
2	Axe de blocage de hauteur	Locking pin height	Perno per regolare altezza
A	Hauteur sous œil mini	Height under lifting hook min	Altezza sottogancio minima
B	Hauteur sous œil maxi	Height under lifting hook max	Altezza sottogancio massima
C	Hauteur totale mini	OverallHeight min	Altezza totale minima
D	Hauteur totale maxi	OverallHeight max	Altezza totale massima
E	Diamètre d'ouverture des pieds mini	Opening diameter of the feet mini	Diametro d'apertura minimo
F	Diamètre d'ouverture des pieds maxi	Opening diameter of the feet maxi	Diametro d'apertura massimo
G x H	Dimensions pour transport	Dimensions for transport	Dimensioni per il trasporto
I	Pas de réglage = 150 mm	Pitch = 150 mm	Passo di regolazione = 150 mm

**Descriptif**

- Construction légère
- Structure en aluminium  
(Tête en acier pour les modèles 2000 Kg et 3000 Kg)
- Pieds télescopiques : Montants aluminium réglables au pas de 150 mm
- Liaison des pieds assurée par chaîne en acier galvanisé munie d'un mousqueton
- Adapté à tout terrain : Pieds articulés ayant deux positions pour sol dur et sol mou
- Manutention et mise en place aisée dues à son faible poids

**Description**

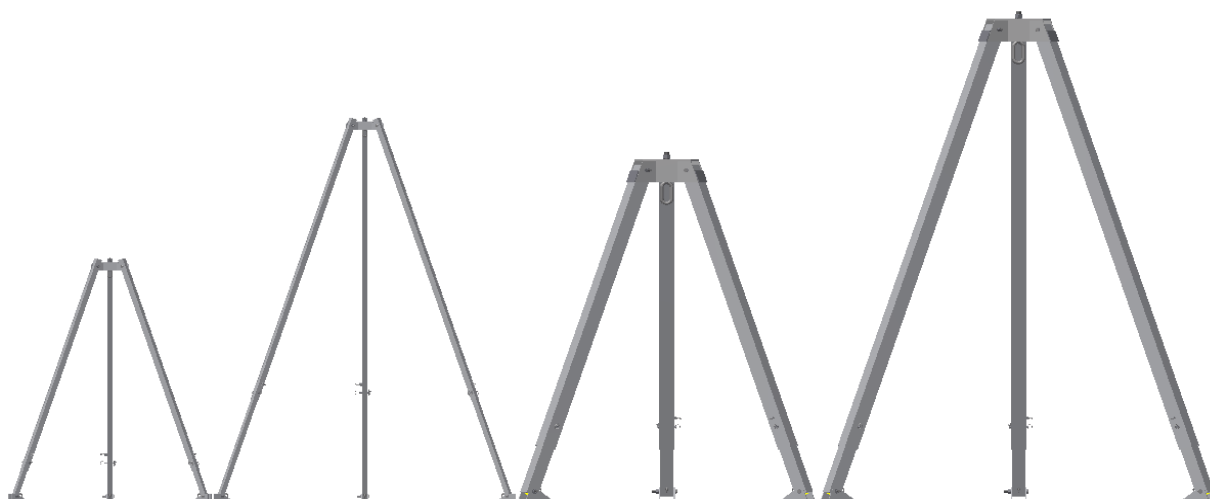
- Light construction
- System in aluminium  
(Head in steel for model 2000 Kg and 3000 Kg)
- Telescopic feet : Aluminium adjustable bracket with a pitch of 150 mm
- Attachment of the feet by a galvanized chain with a snap hook
- Suitable for all floor : Articulated feet featuring two positions for hard or soft ground
- Flexibility of movement due to its light weight

**Descrizione**

- Costruzione leggera
- Struttura in alluminio  
(Testa in acciaio per modelli 2000 e 3000 Kg)
- Piedi telescopici: montanti in alluminio regolabili con passo da 150 mm
- Fissaggio dei piedi con catena galvanizzata munita di moschettone
- Adatto a tutti i terreni: Piedi articolati con due posizioni per terreno duro o morbido
- Flessibilità di movimentazione grazie al poco peso della struttura

**TRA TRIPODE ALUMINIUM PLIABLE**  
**FOLDING ALUMINIUM TRIPOD**  
**TREPIEDE IN ALLUMINIO**

CMU	Hauteur	Hauteur sous œil mini	Hauteur sous œil maxi	Hauteur totale mini	Hauteur totale maxi	Diamètre d'ouverture des pieds mini	Diamètre d'ouverture des pieds maxi	Dimensions pour transport		Poids
						Opening diameter of the feet mini	Opening diameter of the feet maxi	Dimensions for transport		Weight
Max. capacity	Heigt	Height under lifting hook min	Height under lifting hook maxi	Overall Height mini	Overall Height maxi	Apertura dei piedi min	Apertura dei piedi max	Dimensioni per trasporto		Peso
Portata max	Altezza	Sottogancio min	Sottogancio max	Altezza min	Altezza max	Ø E	Ø F	G	H	
KG		mm	mm	mm	mm	mm	mm	mm	mm	KG
250	H1	1500	2486	1622	2608	1330	2100	1600	210	8,9
	H2	2440	3426	2562	3548	1980	2670	2100	210	11,3
500	H1	1480	2466	1632	2620	1400	2100	1600	210	13,5
	H2	2420	3406	2572	3560	2185	2800	2100	210	17,2
1000	H1	1430	2420	1648	2634	1480	2200	1600	300	24,4
	H2	2351	3338	2567	3554	2180	2870	2110	300	31
2000	H1	2010	3000	2280	3270	2030	2770	2240	320	45,4
	H2	2950	3936	3220	4205	2720	3470	3224	320	54
3000	H1	2018	3004	2330	3318	2130	2900	2280	350	63,7
	H2	2953	3940	3266	4253	2690	3420	3290	350	74,9



V 2014